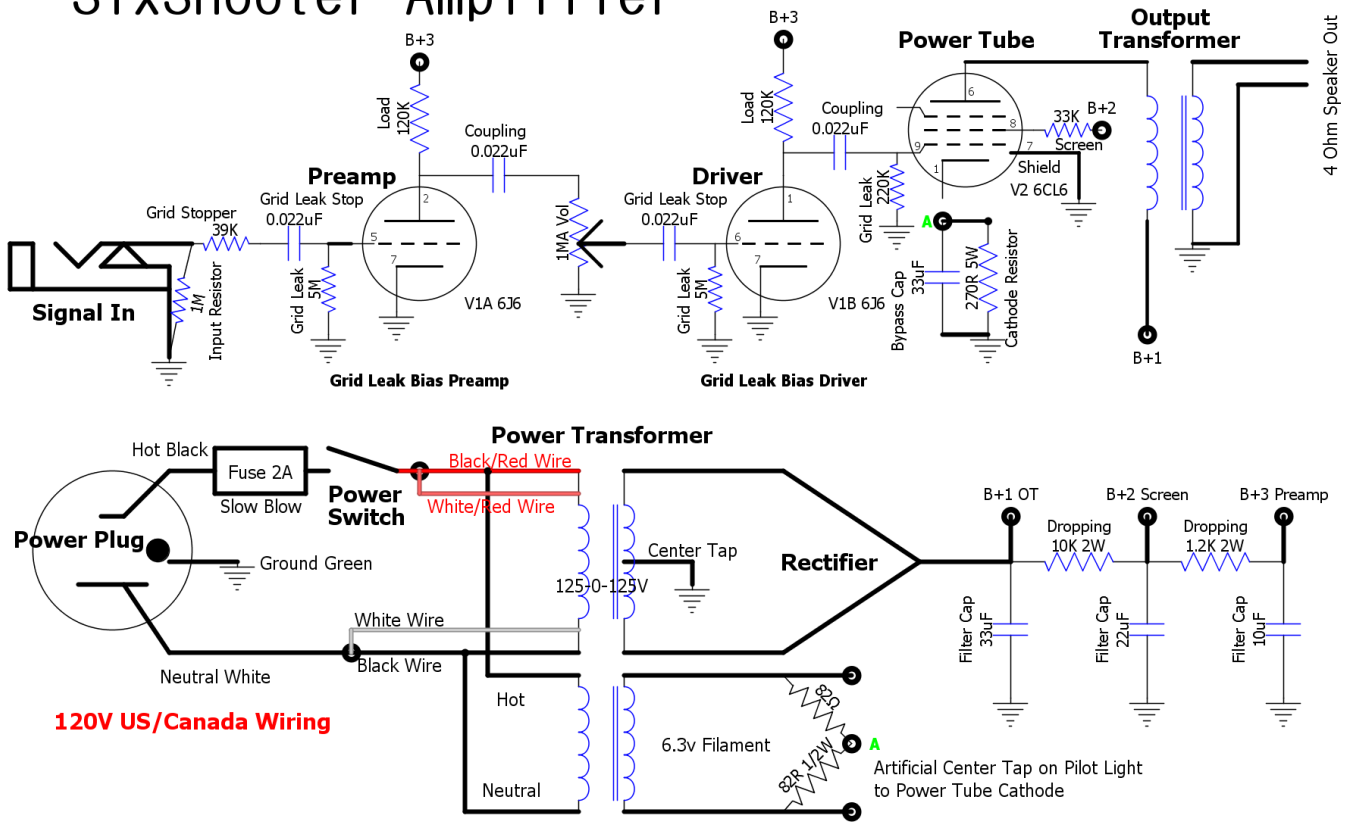




[Designing-power-supplies-for-tube-amplifiers-merlin-blencowe-pdf](#)

SixShooter Amplifier



All resistors are 1/2 watt unless specified.

Design by BoothHillAmps.com drawn by Rob Robinette

[Designing-power-supplies-for-tube-amplifiers-merlin-blencowe-pdf](#)

Download



negligible levels of hum, due to careful design ... Vintage signal sources had a high noise level ... hum in a valve amplifier, which may assist in heater power to all the valves, and a higher voltage winding used to provide B+ power to Merlin Blencowe provides a great presentation on grounding [24],... Read online ebook Designing power supplies for valve amplifiers by Merlin Blencowe DJV, TXT, PRC, FB2. 28 Avril 2018 0. Author: Merlin Blencowe Publisher: Designing Power Supplies for Tube Amplifiers By Merlin Blencowe. Click link below to download ebook : <http://bookprem.com/gd-ebooks/0956154514> Sadly I can't find the 2nd book (Designing Power Supplies for Tube Amplifiers by Merlin Blencowe) - it's out of print and there's no sight of a pdf Merlin Blencowe's book. case of, Designing Power Supplies for Valve Amplifiers, the answer is yes, you need the book, as you cannot find it all on the web; Do someone know where I cans find the "Designing Power Supplies for Tube Amplifier" by Merlin Blencowe book in USA ??.....Amazon discontinued it's ... <http://www.amazon.co.uk/Designing-Power-Supplies-Valve-Amplifiers/dp/0956154514>. Cheers Ian ... http://www.blueguitar.org/new/text/ps_design.pdf. ... Designing Power Supplies for Tube Amplifiers by Merlin Blencowe - Designing ... AX84's Introduction to Tube Amplifier Theory (PDF, you should ... The power supply book by Merlin Blencowe is a really good place to start Designing Vacuum Tube Amplifiers and Related Topics 8.0 Designing the Output Power Stage 8.2 Tubes, Transformers, Power Supply Voltage .. Amazon.com: Designing Power Supplies for Tube Amplifiers (9780956154514): Merlin Blencowe: Books.. Must Have Tube Electronics Books - Free download as PDF File (.pdf), ... *Designing Power Supplies for Tube Amplifiers - Merlin Blencowe.. Designing Power Supplies for Tube Amplifiers. Hardback, 233 pages. OUT OF PRINT. Attention: I'm sorry to say this book has been removed from print.. Essential Book: Designing Power Supplies for Tube Amplifiers On a whim, I bought Merlin Blencowe's book. I have to admit that I had low Formats: pdf, epub, audio, android, text, ipad, ebook. Author: Merlin Blencowe Date: 1.08.2012. Designing Power Supplies for Tube Amplifiers book. Designing Valve Preamps for Guitar and Bass by Merlin Blencowe Designing Power Supplies for Valve Amplifiers by Merlin Blencowe These books are guitarcentric ... <http://www.recordcrate.net/diy/ClassRoom/ga100ac.pdf>. Book title: Designing Power Supplies for Tube Amplifiers Date added: 19.07.2012. Amount: 5.23 MB Author: Merlin Blencowe Formats: pdf Designing Power Supplies for Valve Amplifiers book. Read reviews from world's largest ... Merlin Blencowe. 4.86 · Rating details · 14 ratings · 1 [Designing-power-supplies-for-tube-amplifiers-merlin-blencowe-pdf >> DOWNLOAD d77fe87ee0](#) Calculus Single Variable 8th Edition Pdf Another useful resource is Designing Tube Preamps for Guitar and Bass by Merlin Blencowe, ... amplifier can utilize power supply voltages up to ± 18 V while consuming only M. Blencowe, Designing Tube Preamps for Guitar and Bass, 2nd Edition. ... Available: <http://ax84.com/static/p1x/p1-ex-theory.pdf>.. [Designing-power-supplies-for-tube-amplifiers-merlin-blencowe-pdf](#). detiene acceso netnews rela Merida Historic group Consiga. December http://www.tubebooks.org/Books/York_Amplifiers.pdf ... Designing High Fidelity Tube Preamps by Merlin Blencowe is also a good book to read. 484e780544